

UNICARRIERS[®]

□ FORKLIFT □



PF(D)80-PF(D)120 Series

Engine Powered Forklifts

LP / DUAL FUEL / DIESEL

8,000 – 12,000 lbs. Capacities | Pneumatic Tire



Common Applications

Looking for a truck that is both easy to control and powerful with great fuel efficiency? The PF(D)80-PF(D)120 Series has been designed to operate in tough environments and will deliver the rugged performance you need to get the job done. Whether you need to work indoors or out, it excels in heavy-duty applications for your specific business needs.

- Wholesale Trade - Durable Goods
- Building Materials & Garden Supplies
- Lumber & Wood Products
- Primary & Fabricated Metal Industries
- Stone, Clay & Glass
- Trucking & Warehousing





NEVER QUIT.

It defines our forklifts and the company that builds them.

Over the course of a century, the company known as UniCarriers took shape. As we grew and evolved into a US manufacturer with a global reach in nearly 100 countries worldwide, much has changed, but one thing hasn't: our mission. UniCarriers is committed to providing you with the ultimate in reliability, performance, and value.

The PF(D)80-PF(D)120 Series is designed to operate in tough environments. Built with a powerful engine and durable mast, it will deliver the rugged performance you need to get the job done with low noise levels and low vibration.



Up Your UpTime

Discover reliability features that cut downtime and keep your business up and running



Comfort Zone

Your entire operation will benefit from the features designed with operator comfort in mind



Power & Performance

Built with proven components to ensure the productivity you need



Play It Safe

Safety is everyone's business and UniCarriers is all about business when it comes to safety



Control Freak

Placing control completely within the hands of the operator for confident efficiency



To learn more, and find a dealer near you, visit LogisnextAmericas.com/UniCarriers



Up Your UpTime

Let's face it, you have no time for downtime. That's why you need a rugged, tough machine that can not only tackle your operation's challenges, but continue to tackle them over and over again. You can rest assured that the PF(D)80-PF(D)120 series of forklifts from UniCarriers is fully equipped to be the machine you can count on.





Protection System

The standard engine protection system continuously monitors critical fluid levels and temperatures to protect the truck. In the event that there is an excessive increase in heat or reduction in oil pressure, truck travel and hydraulic functions are reduced in stages. This safeguard can result in extended engine and drive train life.

Exceptional Service Access

Whether major components or daily fluid checks, the rear hinged engine hood provides a high level of access to everything under the hood. When the engine hood is opened, the floor plate and side panels can be easily removed without the use of tools to make sure that your truck is ready to get the job done.



Standard Elevated Air Intake

The air intake of the truck helps to drive the combustion process. In particularly dirty or dusty environments, the elevated mushroom cap air intake can help to prevent contaminants or water from causing issues in the engine compartment. There is also an easily accessible (and serviceable) paper filament to remove finer particles that might pass through the system. It can be cleaned or replaced without the need for any tools.

A Solid Advantage

These mid-sized pneumatic tired forklifts are engineered for tough outdoor applications, that's why you'll find a rugged, one-piece steer axle for strength and rigidity. Additionally, the floating design of the drive axle is in a one-piece single cast housing that reduces potential leak points and absorbs shock in the housing rather than the axle shaft itself.

High Performance Cooling System

Forklifts work hard and working hard gets hot. That's why these workhorses are equipped with a large, horizontal aluminum-core cross flow radiator to offer cooling performance need to stay up and running.



Comfort Zone

The spacious operator compartment is the operator's office. Ergonomics throughout a day's shift can lead to increased productivity, by way of operator comfort and confidence. There are a number of features built into the design of the truck to enhance the overall experience for the operator.



A Very Smooth Idea

Vibration exists naturally both from the application and the combustion process of the engine of a forklift. Because of this, several features including rubber mounted key components, a fully insulated steel engine hood, closed wheel wells and a smooth Powershift transmission are all implemented into the design of this model family for a smooth ride.



A Step Up

Operator entry and exit is simplified with the three points of contact including a large step integrated into the chassis, an elongated grab bar and hip restraint on the side of the seat. This all allows for more confident entry and exit and reduced effort when entering the operator compartment.



Wide Open Spaces

Beyond generous headroom, the operator compartment features plenty of foot and legroom, automotive style controls and a mechanical quick return adjustable steering column that features infinite column adjustment within a 12-degree range and allows quick return to the previous setting if it should be adjusted for another operator or opening of the engine hood.



Our Seat Supports Your Driver and Your Productivity

The lumbar support and suspension adjustments create customized comfort for a wide range of operator sizes. Additionally, a non-cinching seat belt allows for wider range of movement during operation. The full-suspension design absorbs shocks for a smooth, comfortable ride - all in the standard configuration of the truck



Power & Performance

When it comes to delivering the power you need to get the job done, the PF(D)80-PF(D)120 offers more than just brute strength. These trucks bring multiple engine choices, each perfectly matched to our heavy duty transmissions to help balance high power, low emissions, fuel efficiency and excellent torque. Throughout our mid-sized pneumatics, their hydraulics, electronics and internal componentry come together in the form of a machine that doesn't just do the job, but does it better, more efficiently and more economically.



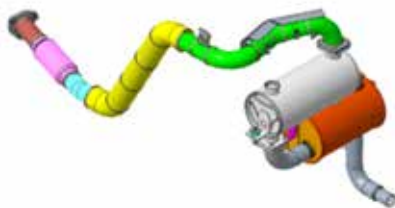


The PSI 4X 4.3 liter V6 engine is a Powerhouse

Powerful and highly efficient, our PSI 4X engine offers advanced features to drive performance and deliver rock solid reliability. These include electronic fuel injection and an engine control system that monitors key engine functions to deliver fuel economy and reduced emissions levels. The standard Engine Protection System also helps constantly guard against unnoticed overheating or loss of oil pressure.

**The D04EG-T Diesel:
 Higher Power/Lower Emissions**

The inline 4-cylinder, turbocharged diesel features common rail injection, cooled exhaust gas recirculation and a simplified emissions aftertreatment system to meet and exceed EPA tier 4 final emissions standards. It offers exceptional torque at low RPM levels to provide the power your application demands.



**Simplified Diesel Emissions
 Aftertreatment**

An emissions system that utilizes Exhaust Gas Recirculation (EGR) and a Diesel Oxidation Catalyst (DOC) to oxidize harmful emissions through filtration exceed EPA emissions standards without the need for any additional additives or down time to burn off soot.



**A Mast That Can Lift Your
 Entire Business**

The robust mast construction features large rail dimensions to handle heavy loads and provide reliability and solid visibility to the load/fork tips for increased productivity and operator confidence levels



Pumping Up the Power

To deliver superior hydraulic response time, this model family incorporates a gear-type hydraulic pump that has increased efficiency from its placement and efficient hosing placement. Utilizing a priority valve to provide priority oil flow to the steering pump as needed and a flow regulator valve to allow the operator to precisely control lowering speed, the operator has precise control at their fingertips.



Play It Safe

Chances are, creating a secure working environment for your employees is a priority for you. It was also a priority for us in designing and building the PF(D)80-PF(D)120 UniCarriers forklifts. This focus can be seen from the rugged frame to the low emissions levels of our advanced engines to the spacious, ergonomic layout of the operator's compartment. Creating a more secure workplace without sacrificing performance is what the UniCarriers brand is all about.



Operator Presence System

The comprehensive system includes a seat-actuated interrupt with mast-lock, automatically preventing hydraulic operations and transmission lockout if the operator leaves the proper operating position in the seat. The return-to-neutral feature minimizes the movement of the forklift if the operator leaves the seat while the truck is still in gear. Audible and visual warnings are also activated when the operator presence system kicks in.



Password Protected Security

Standard PIN code/password capabilities of the display can help to assure that only authorized operators start up your truck. This requires a 4-digit passcode and can help ensure that the truck is protected by preventing operation by anyone not qualified to do so in your given application. This feature can be activated or disabled at your discretion.



Less Fatigue Means More Control

These trucks are designed to keep operators alert and in full control of the truck. Several features are built into the design to limit operator fatigue including: the adjustable full-suspension seat, responsive hydrostatic steering, engine hood insulation to reduce noise and heat, ergonomic and intuitive controls, and rubber mounted key drivetrain components to limit vibration.



Control Freak



Increased productivity and operator awareness is obtained through a variety of options including fingertip hydraulic controls.

Powerful acceleration maximizes productivity in a controlled manner using a powershift transmission. The two-speed forward and one-speed reverse transmission helps the operator remain in control.

Increased power on demand is available through the torque converter. Power is smoothly transferred from the engine to the transmission.

MAIN TRUCK SPECIFICATIONS

CHARACTERISTICS	1	Manufacturer's Name		UniCarriers	UniCarriers	UniCarriers	
	2	Model	Model designation	PF80N	PF90N	PF100N	
	3	Rated Load Capacity		lb (kg)	8,000 (3,500)	9,000 (4,000)	10,000 (4,500)
4	Load Center	Distance	in (mm)	24 (600)	24 (600)	24 (600)	
5	Power Type	Electric	voltage	dual fuel: gasoline / LP gas	dual fuel: gasoline / LP gas	dual fuel: gasoline / LP gas	
6	Operator Orientation			seated	seated	seated	
DIMENSIONS	7	Tire Type	Front & rear	pneumatic	pneumatic	pneumatic	
	8	Wheels	Number - front/rear (x=driven)	2x / 2	2x / 2	2x / 2	
	9	Mast	Maximum fork height	in (mm)	132 (3,350)	132 (3,350)	132 (3,350)
	10		Mast lowered (OHL)	in (mm)	91.5 (2,320)	91.5 (2,320)	94.5 (2,400)
	11		Mast extended with LBR	in (mm)	180 (4,570)	180 (4,570)	180 (4,570)
	12		Standard freelif	in (mm)	5.9 (150)*	5.9 (150)*	5.9 (150)*
	13	Forks	Thickness & width	in (mm)	2 x 5.9 (50 x 150)	2 x 5.9 (50 x 150)	2 x 5.9 (50 x 150)
	14		Length (STD)	in (mm)	48 (1,220)	48 (1,220)	48 (1,220)
	15	Tilt Angle	Standard mast - fwd/back	degree	6 / 10	6 / 10	6 / 10
	16	Overall Dimensions	Length (to face of forks)	in (mm)	118 (3,000)	123 (3,130)	125 (3,170)
	17		Width (standard tires)	in (mm)	55.5 (1,415)	57.5 (1,460)	57.5 (1,460)
	18		Height - top of OHG	in (mm)	90.5 (2,296)	90.5 (2,296)	90.5 (2,296)
	19		Height - top of standard LBR	in (mm)	49.8 (1265)	49.8 (1265)	49.8 (1265)
	20		Width - standard carriage	in (mm)	48.0 (1220)	48.0 (1220)	48.0 (1220)
	21	Grade Clearance	Approach angle	%	23.5	23.5	22.3
	22		Ramp breakover angle	%	31.5	29	29
	23		Departure angle	%	30	30	30
	24	Overhang	Front	in (mm)	22.7 (577)	22.7 (577)	22.9 (582)
	25		Rear	in (mm)	22.4 (570)	21.8 (554)	23.2 (588)
	26	Turning Radius	Minimum outside	in (mm)	101 (2,580)	107 (2,730)	109 (2,760)
27	Min Right Angle Stack	Add load length & clearance	in (mm)	172 (4,370)	178 (4,530)	179 (4,560)	
PERFORMANCE	28	Speed Maximum	Travel - loaded / unloaded	mph (km/h)	14.0 / 14.0 (22.0 / 22.5)	13.5 / 14.0 (22.0 / 22.5)	13.5 / 14.0 (22.0 / 22.5)
	29		Lift - loaded / unloaded	fpm (mm/sec)	110 / 120 (0.57 / 0.60)	110 / 120 (0.57 / 0.60)	96 / 100 (0.49 / 0.52)
	30		Lowering - loaded / unloaded	fpm (mm/sec)	99 / 99 (0.5 / 0.5)	99 / 99 (0.5 / 0.5)	98 / 98 (0.5 / 0.5)
	31	Drawbar Pull Maximum	Full load	lb (N)	8,700 (38,500)	8,400 (37,500)	8,500 (37,500)
32	Gradeability Max 1.6 km/h	Full load	%	31.5 (32)	28.6 (28.9)	25.7 (25.9)	
WEIGHT	33	Truck Weight	Empty, min. battery	lb (kg)	12,900 (5,860)	13,800 (6,270)	14,950 (6,790)
	34	Weight Distribution	Full load front/rear - min. battery	lb (kg)	18,900 / 2,050 (8,330 / 1,030)	20,400 / 2,400 (9,110 / 1,160)	22,300 / 2,700 (10,030 / 1,260)
	35		No load front/rear - min. battery	lb (kg)	5,750 / 7,150 (2,610 / 3,250)	6,050 / 7,750 (2,750 / 3,520)	6,300 / 8,650 (2,870 / 3,920)
CHASSIS & WHEELS	36	Tire Size	Front	in	8.25-15-14PR	300-15-20PR	300-15-20PR
	37		Rear	in	7.00-12-12PR	7.00-12-12PR	7.00-12-12PR
	38	Wheelbase		in (mm)	73.0 (1,850)	78.5 (2,000)	78.5 (2,000)
	39	Tread - Center of Tire	Front / rear (standard tires)	in (mm)	46.5 / 46.5 (1,175 / 1,180)	46.5 / 46.5 (1,175 / 1,180)	46.5 / 46.5 (1,175 / 1,180)
	40	Headroom	SIP to bottom pf OHG	in (mm)	37.5 (952)	37.5 (952)	37.5 (952)
	41	Counterweight Height		in (mm)	54.5 (1385)	54.5 (1385)	54.5 (1385)
	42	Step Height		in (mm)	19 (482)	19 (482)	19 (482)
	43	Ground Clearance	Under mast	in (mm)	5.9 (150)	5.9 (150)	5.9 (150)
	44		Under frame, center of wheelbase	in (mm)	8.9 (227)	8.9 (227)	8.9 (227)
	45	Service Brake	Type		foot, hydraulic	foot, hydraulic	foot, hydraulic
	46	Parking Brake	Type		hand, hydraulic	hand, hydraulic	hand, hydraulic
47	Steering	On-demand		Hydraulic	Hydraulic	Hydraulic	
POWERTRAIN	48	Engine Model			PSI 4X		
	49	Continuous output S.A.E. gross	HP	kW	97 (72)	97 (72)	97 (72)
	50		at r.p.m.			2450	
	51		lb-ft	N-m	207 (280)	207 (280)	207 (280)
	52		at r.p.m.			1,200	
	53	Cylinders / displacement	cu in	L	6 / 275 (4.5)	6 / 275 (4.5)	6 / 275 (4.5)
	54	Transmission type			Powershift		
	55	Number of speeds forward / reverse			2/1		
	56	Battery – volts			12		
	57	Relief pressure for attachment	psi	bar	2770 (191)	2770 (191)	2770 (191)
58	Noise level – mean value at operator's ear Leq				83		

*Only for 2-Stage mast

MAIN TRUCK SPECIFICATIONS

CHARACTERISTICS	1	Manufacturer's Name			UniCarriers	UniCarriers	
	2	Model	Model designation		PF110N	PF120N	
	3	Rated Load Capacity		lb (kg)	11,000 (5,000)	12,000 (5,500)	
	4	Load Center	Distance	in (mm)	24 (600)	24 (600)	
	5	Power Type	Electric	voltage	dual fuel: gasoline / LP gas	dual fuel: gasoline / LP gas	
	6	Operator Orientation			seated	seated	
DIMENSIONS	7	Tire Type	Front & rear		pneumatic	pneumatic	
	8	Wheels	Number - front/rear (x=driven)		2x / 2	2x / 2	
	9	Mast	Maximum fork height	in (mm)	132.5 (3,360)	132.5 (3,360)	
	10		Mast lowered (OHL)	in (mm)	91.5 (2,400)	94.5 (2,400)	
	11		Mast extended with LBR	in (mm)	181 (4,590)	181 (4,590)	
	12		Standard freelif	in (mm)	5.9 (150)*	5.9 (150)*	
	13	Forks	Thickness & width	in (mm)	2.4 x 5.9 (60 x 150)	2.4 x 5.9 (60 x 150)	
	14		Length (STD)	in (mm)	48 (1,220)	48 (1,220)	
	15	Tilt Angle	Standard mast - fwd/back	degree	6 / 10	6 / 10	
	16	Overall Dimensions	Length (to face of forks)	in (mm)	130 (3,310)	132 (3,360)	
	17		Width (standard tires)	in (mm)	57.5 (1,460)	57.5 (1,460)	
	18		Height - top of OHG	in (mm)	90.5 (2,296)	90.5 (2,296)	
	19		Height - top of standard LBR	in (mm)	50.6 (1,285)	50.6 (1,285)	
	20		Width - standard carriage	in (mm)	48.0 (1,220)	48.0 (1,220)	
	21	Grade Clearance	Approach angle	%	22.3	22.3	
	22		Ramp breakover angle	%	27	27	
	23		Departure angle	%	30	30	
	24	Overhang	Front	in (mm)	23.7(602)	23.7(602)	
	25		Rear	in (mm)	21.8(553)	23.7(603)	
	26	Turning Radius	Minimum outside	in (mm)	114 (2,890)	116 (2,940)	
	27	Min Right Angle Stack	Add load length & clearance	in (mm)	186 (4,710)	187 (4,760)	
	PERFORMANCE	28	Speed Maximum	Travel - loaded / unloaded	mph (km/h)	13.5 / 14.0 (22.0 / 22.5)	13.5 / 14.0 (22.0 / 21.5)
		29		Lift - loaded / unloaded	fpm (mm/sec)	96 / 100 (0.49 / 0.52)	96 / 100 (0.49 / 0.52)
		30		Lowering - loaded / unloaded	fpm (mm/sec)	98 / 98 (0.5 / 0.5)	98 / 98 (0.5 / 0.5)
		31	Drawbar Pull Maximum	Full load	lb (N)	8,500 (37,500)	8,500 (37,500)
	32	Gradeability Max 1.6 km/h	Full load	%	23.3 (23.3)	21.5 (21.5)	
	WEIGHT	33	Truck Weight	Empty, min. battery	lb (kg)	15,950 (7,240)	16,700 (7,570)
34		Weight Distribution	Full load front/rear - min. battery	lb (kg)	24,250 / 2,700 (10,990 / 1,250)	25,700 / 3,000 (11,710 / 1,360)	
35			No load front/rear - min. battery	lb (kg)	7,050 / 8,900 (3,190 / 4,050)	6,900 / 9,800 (3,130 / 4,440)	
CHASSIS & WHEELS	36	Tire Size	Front	in	300-15-20PR	300-15-20PR	
	37		Rear	in	7.00-12-14PR	7.00-12-14PR	
	38	Wheelbase		in (mm)	84.5 (2,150)	84.5 (2,150)	
	39	Tread - Center of Tire	Front / rear (standard tires)	in (mm)	46.5 / 46.5 (1,175 / 1,180)	46.5 / 46.5 (1,175 / 1,180)	
	40	Headroom	SIP to bottom pf OHG	in (mm)	37.5 (952)	37.5 (952)	
	41	Counterweight Height		in (mm)	54.5 (1385)	54.5 (1385)	
	42	Step Height		in (mm)	19 (482)	19 (482)	
	43	Ground Clearance	Under mast	in (mm)	5.9 (150)	5.9 (150)	
	44		Under frame, center of wheelbase	in (mm)	8.9 (227)	8.9 (227)	
	45	Service Brake	Type			foot, hydraulic	foot, hydraulic
	46	Parking Brake	Type			hand, hydraulic	hand, hydraulic
47	Steering	On-demand			Hydraulic	Hydraulic	
POWERTRAIN	48	Engine Model			PSI 4X		
	49	Continuous output S.A.E. gross	HP	kW	97 (72)	97 (72)	
	50		at r.p.m.		2450		
	51		lb-ft	N-m	207 (280)	207 (280)	
	52		at r.p.m.		1,200		
	53	Cylinders / displacement	cu in	L	6 / 275 (4.5)	6 / 275 (4.5)	
	54	Transmission type			Powershift		
	55	Number of speeds forward / reverse			2/1		
	56	Battery – volts			12		
	57	Relief pressure for attachment	psi	bar	2770 (191)	2770 (191)	
	58	Noise level – mean value at operator's ear Leq	dB(A)		83		

*Only for 2-Stage mast

MAIN TRUCK SPECIFICATIONS

CHARACTERISTICS	1	Manufacturer's Name		UniCarriers	UniCarriers	UniCarriers	
	2	Model	Model designation	PFD80N	PFD90N	PFD100N	
	3	Rated Load Capacity		lb (kg)	8,000 (3,500)	9,000 (4,000)	10,000 (4,500)
4	Load Center	Distance	in (mm)	24 (600)	24 (600)	24 (600)	
5	Power Type	Electric	voltage	diesel	diesel	diesel	
6	Operator Orientation			seated	seated	seated	
DIMENSIONS	7	Tire Type	Front & rear	pneumatic	pneumatic	pneumatic	
	8	Wheels	Number - front/rear (x=driven)	2x / 2	2x / 2	2x / 2	
	9	Mast	Maximum fork height	in (mm)	132 (3,350)	132 (3,350)	132 (3,350)
	10		Mast lowered (OHL)	in (mm)	91.5 (2,320)	91.5 (2,320)	94.5 (2,400)
	11		Mast extended with LBR	in (mm)	180 (4,570)	180 (4,570)	180 (4,570)
	12		Standard freelif	in (mm)	5.9 (150)*	5.9 (150)*	5.9 (150)*
	13	Forks	Thickness & width	in (mm)	2 x 5.9 (50 x 150)	2 x 5.9 (50 x 150)	2 x 5.9 (50 x 150)
	14		Length (STD)	in (mm)	48 (1,220)	48 (1,220)	48 (1,220)
	15	Tilt Angle	Standard mast - fwd/back	degree	6 / 10	6 / 10	6 / 10
	16	Overall Dimensions	Length (to face of forks)	in (mm)	118 (3,000)	123 (3,130)	125 (3,170)
	17		Width (standard tires)	in (mm)	55.5 (1,415)	57.5 (1,460)	57.5 (1,460)
	18		Height - top of OHG	in (mm)	90.5 (2,296)	90.5 (2,296)	90.5 (2,296)
	19		Height - top of standard LBR	in (mm)	49.8 (1265)	49.8 (1265)	49.8 (1265)
	20		Width - standard carriage	in (mm)	48.0 (1220)	48.0 (1220)	48.0 (1220)
	21	Grade Clearance	Approach angle	%	23.5	23.5	22.3
	22		Ramp breakover angle	%	31.5	29	29
	23		Departure angle	%	30	30	30
	24	Overhang	Front	in (mm)	22.7 (577)	22.7 (577)	22.9 (582)
25	Rear		in (mm)	22.4 (570)	21.8(554)	23.2 (588)	
26	Turning Radius	Minimum outside	in (mm)	101 (2,580)	107 (2,730)	109 (2,760)	
27	Min Right Angle Stack	Add load length & clearance	in (mm)	172 (4,370)	178 (4,530)	179 (4,560)	
PERFORMANCE	28	Speed Maximum	Travel - loaded / unloaded	mph (km/h)	13.5 / 14.0 (21.5 / 22.5)	13.5 / 14.0 (21.5 / 22.5)	13.0 / 14.0 (21.0 / 22.0)
	29		Lift - loaded / unloaded	fpm (mm/sec)	120 / 125 (0.61 / 0.64)	120 / 125 (0.60 / 0.64)	100 / 110 (0.52 / 0.55)
	30		Lowering - loaded / unloaded	fpm (mm/sec)	99 / 99 (0.5 / 0.5)	99 / 99 (0.5 / 0.5)	98 / 98 (0.5 / 0.5)
	31	Drawbar Pull Maximum	Full load	lb (N)	8,260 (36,700)	8,110 (36,000)	8,030 (35,700)
32	Gradeability Max 1.6 km/h	Full load	%	28.7 (29.2)	25.8 (26.1)	22.9 (23)	
WEIGHT	33	Truck Weight	Empty, min. battery	lb (kg)	13,100 (5,950)	14,050 (6,360)	15,150 (6,880)
	34	Weight Distribution	Full load front/rear - min. battery	lb (kg)	19,800 / 2,100 (8,390 / 1060)	21,400 / 2,550 (9,140 / 1,220)	23,400 / 2,800 (10,060 / 1,320)
	35		No load front/rear - min. battery	lb (kg)	5,850 / 7,250 (2,660 / 3,290)	6,150 / 7,900 (2,780 / 3,580)	6,400 / 8,750 (2,900 / 3,980)
CHASSIS & WHEELS	36	Tire Size	Front	in	8.25-15-14PR	300-15-20PR	300-15-20PR
	37		Rear	in	7.00-12-12PR	7.00-12-12PR	7.00-12-12PR
	38	Wheelbase		in (mm)	73.0 (1,850)	78.5 (2,000)	78.5 (2,000)
	39	Tread - Center of Tire	Front / rear (standard tires)	in (mm)	46.5 / 46.5 (1,175 / 1,180)	46.5 / 46.5 (1,175 / 1,180)	46.5 / 46.5 (1,175 / 1,180)
	40	Headroom	SIP to bottom pf OHG	in (mm)	37.5 (952)	37.5 (952)	37.5 (952)
	41	Counterweight Height		in (mm)	54.5 (1385)	54.5 (1385)	54.5 (1385)
	42	Step Height		in (mm)	19 (482)	19 (482)	19 (482)
	43	Ground Clearance	Under mast	in (mm)	5.9 (150)	5.9 (150)	5.9 (150)
	44		Under frame, center of wheelbase	in (mm)	8.9 (227)	8.9 (227)	8.9 (227)
	45	Service Brake	Type		foot, hydraulic	foot, hydraulic	foot, hydraulic
46	Parking Brake	Type		hand, hydraulic	hand, hydraulic	hand, hydraulic	
47	Steering	On-demand		Hydraulic	Hydraulic	Hydraulic	
POWERTRAIN	48	Engine Model			4EGT		
	49	Continuous output S.A.E. gross	HP	kW	72 (54)	72 (54)	72 (54)
	50		at r.p.m.			2,250	
	51		lb-ft	N-m	191.76 (260)	191.76 (260)	191.76 (260)
	52		at r.p.m.			1,800	
	53	Cylinders / displacement	cu in	L	4 / 203 (3.33)	4 / 203 (3.33)	4 / 203 (3.33)
	54	Transmission type			Powershift		
	55	Number of speeds forward / reverse			2/1		
	56	Battery – volts			12		
57	Relief pressure for attachment	psi	bar	2770 (191)	2770 (191)	2770 (191)	
58	Noise level – mean value at operator's ear Leq		dB(A)		83		

DISCLAIMER: The information in these materials is being provided for marketing and informational purposes only. Actual specifications, functions, and performance may vary from those set forth in these materials and are available upon request. Operators should always consult the applicable Logisnext Operator's Manual and/or Service Manuals prior to use. Nothing in these materials is intended to constitute a representation, warranty or guarantee for any equipment sold and Logisnext hereby disclaims the same.

*Only for 2-Stage mast

MAIN TRUCK SPECIFICATIONS

CHARACTERISTICS	1	Manufacturer's Name			UniCarriers	UniCarriers	
	2	Model	Model designation		PFD110N	PFD120N	
	3	Rated Load Capacity		lb (kg)	11,000 (5,000)	12,000 (5,500)	
4	Load Center	Distance	in (mm)	24 (600)	24 (600)		
5	Power Type	Electric	voltage	diesel	diesel		
6	Operator Orientation			seated	seated		
DIMENSIONS	7	Tire Type	Front & rear		pneumatic	pneumatic	
	8	Wheels	Number - front/rear (x=driven)		2x / 2	2x / 2	
	9	Mast	Maximum fork height	in (mm)	132.5 (3,360)	132.5 (3,360)	
	10		Mast lowered (OHL)	in (mm)	94.5 (2,400)	94.5 (2,400)	
	11		Mast extended with LBR	in (mm)	181 (4,590)	181 (4,590)	
	12		Standard freelif	in (mm)	5.9 (150)*	5.9 (150)*	
	13	Forks	Thickness & width	in (mm)	2.4 x 5.9 (60 x 150)	2.4 x 5.9 (60 x 150)	
	14		Length (STD)	in (mm)	48 (1,220)	48 (1,220)	
	15	Tilt Angle	Standard mast - fwd/back	degree	6 / 10	6 / 10	
	16	Overall Dimensions	Length (to face of forks)	in (mm)	130 (3,310)	132 (3,360)	
	17		Width (standard tires)	in (mm)	57.5 (1,460)	57.5 (1,460)	
	18		Height - top of OHG	in (mm)	90.5 (2,296)	90.5 (2,296)	
	19		Height - top of standard LBR	in (mm)	50.6 (1285)	50.6 (1285)	
	20		Width - standard carriage	in (mm)	48.0 (1220)	48.0 (1220)	
	21	Grade Clearance	Approach angle	%	22.3	22.3	
	22		Ramp breakover angle	%	27	27	
	23		Departure angle	%	30	30	
	24	Overhang	Front	in (mm)	23.7 (602)	23.7 (602)	
	25		Rear	in (mm)	21.8 (553)	23.7 (603)	
	26	Turning Radius	Minimum outside	in (mm)	114 (2,890)	116 (2,940)	
	27	Min Right Angle Stack	Add load length & clearance	in (mm)	186 (4,710)	187 (4,760)	
	PERFORMANCE	28	Speed Maximum	Travel - loaded / unloaded	mph (km/h)	13.0 / 13.5 (21.0 / 22.0)	13.0 / 13.5 (20.5 / 22.0)
		29		Lift - loaded / unloaded	fpm (mm/sec)	100 / 110 (0.52 / 0.55)	100 / 110 (0.51 / 0.55)
		30		Lowering - loaded / unloaded	fpm (mm/sec)	98 / 98 (0.5 / 0.5)	98 / 98 (0.5 / 0.5)
		31	Drawbar Pull Maximum	Full load	lb (N)	8,045 (35,800)	8,060 (35,900)
	32	Gradeability Max 1.6 km/h	Full load	%	21.1 (21)	19.4 (19.3)	
	WEIGHT	33	Truck Weight	Empty, min. battery	lb (kg)	16,150 (7,330)	16,900 (7,670)
34		Weight Distribution	Full load front/rear - min. battery	lb (kg)	24,300 / 2,900 (11,020 / 1,310)	25,900 / 3,250 (11,740 / 1,470)	
35			No load front/rear - min. battery	lb (kg)	7,100 / 9,050 (3,230 / 4,110)	7,000 / 9,900 (3,170 / 4,500)	
CHASSIS & WHEELS	36	Tire Size	Front	in	300-15-20PR	300-15-20PR	
	37		Rear	in	7.00-12-14PR	7.00-12-14PR	
	38	Wheelbase		in (mm)	84.5 (2,150)	84.5 (2,150)	
	39	Tread - Center of Tire	Front / rear (standard tires)	in (mm)	46.5 / 46.5 (1,175 / 1,180)	46.5 / 46.5 (1,175 / 1,180)	
	40	Headroom	SIP to bottom pf OHG	in (mm)	37.5 (952)	37.5 (952)	
	41	Counterweight Height		in (mm)	54.5 (1385)	54.5 (1385)	
	42	Step Height		in (mm)	19 (482)	19 (482)	
	43	Ground Clearance	Under mast	in (mm)	5.9 (150)	5.9 (150)	
	44		Under frame, center of wheelbase	in (mm)	8.9 (227)	8.9 (227)	
	45	Service Brake	Type		foot, hydraulic	foot, hydraulic	
	46	Parking Brake	Type		hand, hydraulic	hand, hydraulic	
47	Steering	On-demand		Hydraulic	Hydraulic		
POWERTRAIN	48	Engine Model	4EGT				
	49	Continuous output S.A.E. gross	HP	kW	72 (54)	72 (54)	
	50		at r.p.m.		2,250		
	51		lb-ft	N-m	191.76 (260)	191.76 (260)	
	52		at r.p.m.		1,800		
	53	Cylinders / displacement	cu in	L	4 / 203 (3.33)	4 / 203 (3.33)	
	54	Transmission type	Powershift				
	55	Number of speeds forward / reverse	2/1				
	56	Battery – volts	12				
	57	Relief pressure for attachment	psi	bar	2770 (191)	2770 (191)	
	58	Noise level – mean value at operator's ear Leq	dB(A)		83		

*Only for 2-Stage mast

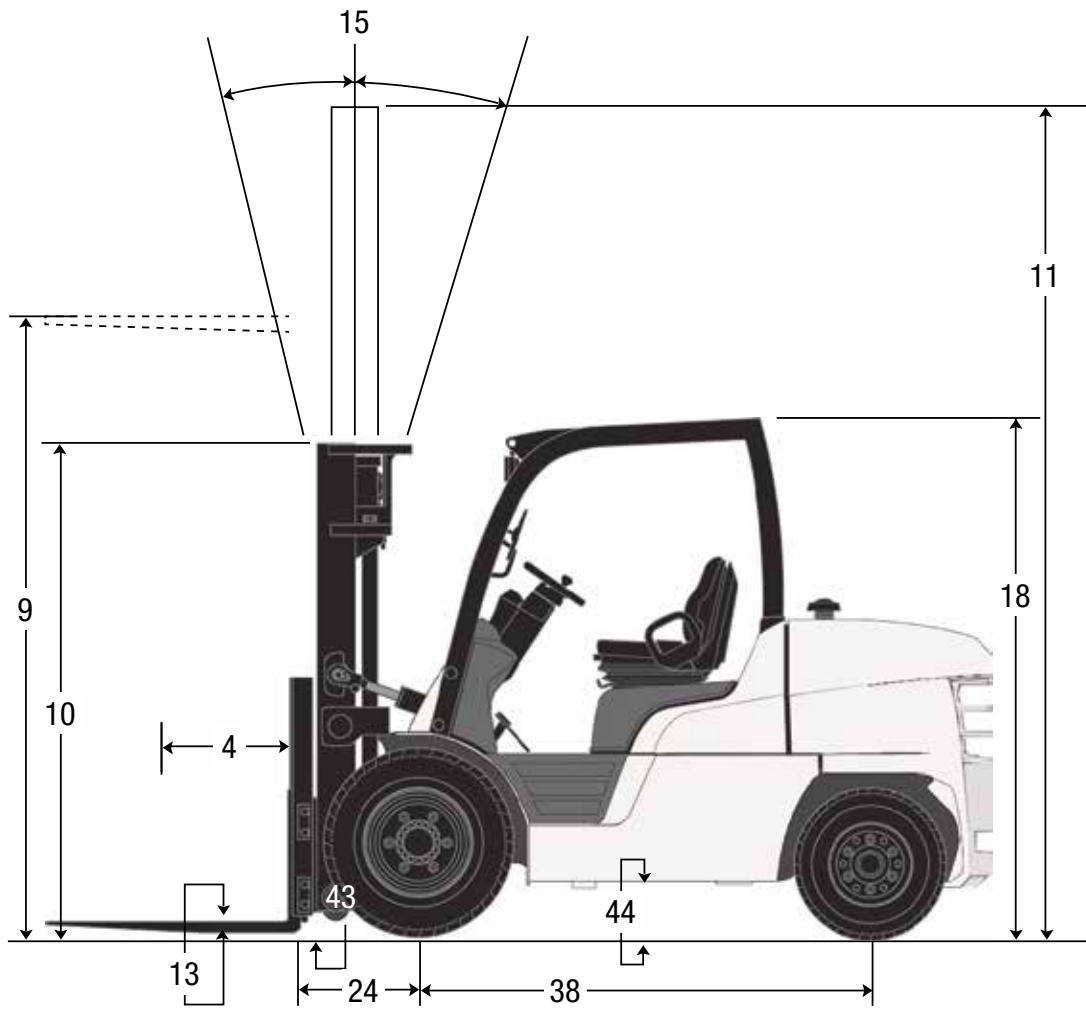
Safety Standards

These trucks meet American National Standards Institute/Industrial Truck Standards Development Foundation, ANSI/ITSDF B56.1.

UL-Classified by Underwriters Laboratories, Inc., as to fire and electric shock hazard only. Availability: Types LP and D standard, Type LPS optional. Users should be aware of, and adhere to, applicable codes and regulations regarding operator training, use, operation, and maintenance of powered industrial trucks, including:

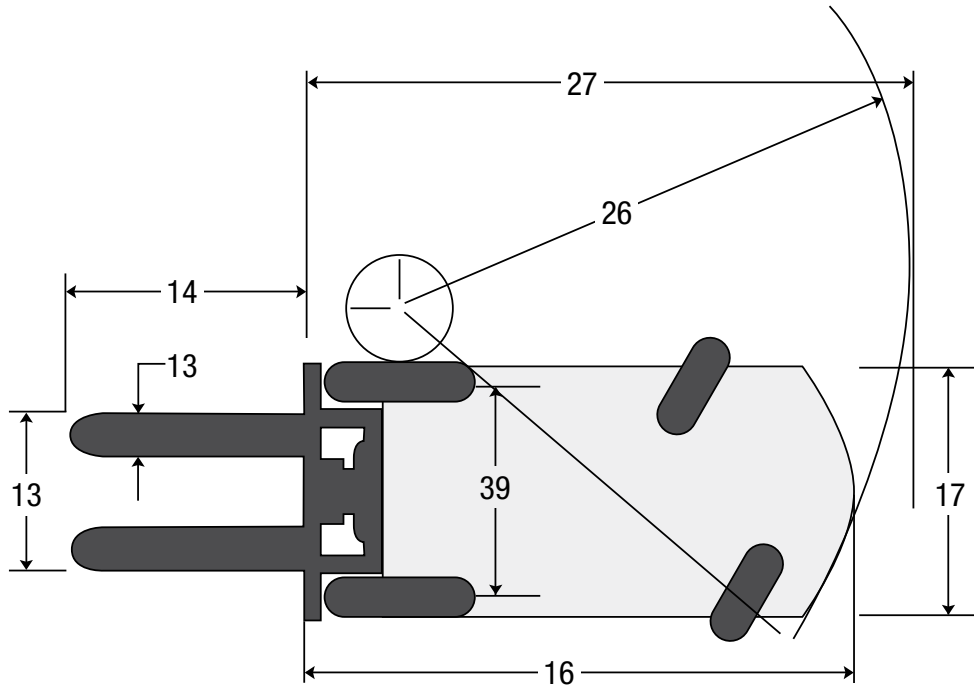
- ANSI/ITSDF B56.1.
- NFPA 505, fire safety standard for powered industrial trucks — type designations, areas of use, maintenance and operation.
- Occupational Safety and Health Administration (OSHA) regulations that may apply.

MAIN TRUCK SPECIFICATIONS



Contact your UniCarriers lift truck dealer for further information, including operator training programs and auxiliary visual and audible warning systems, fire extinguishers, etc., as available for specific user applications and requirements. Specifications, equipment, technical data, photos and illustrations based on information at time of printing and subject to change without notice. Some products may be shown with optional equipment.

DIMENSIONS



Reliability.

It's the defining trait of our company and our forklifts.



UniCarriers' roots extend back over 100 years, and over that time, strong, reliable performance has always been the hallmark of our organization, our people and our equipment.

Today, our unrivaled reliability continues to provide UniCarriers' customers with a competitive edge. And together, we move the merchandise that moves world commerce with greater efficiency, economy and reliability.

When it comes to providing forklifts that make a difference for our customers and theirs...

We Never Quit.



UNICARRIERS
FORKLIFT

LogisnextAmericas.com/UniCarriers

PF(D)80-PF(D)120 07-2024 Printed in U.S.A.

© 2024 Mitsubishi Logisnext Americas Inc. UniCarriers is a registered trademark of Mitsubishi Logisnext Co., Ltd. Mitsubishi Logisnext Americas, Inc. reserves the right to make product changes relating to colors, equipment, specifications or available options without notice. For more information, contact your UniCarriers Forklift representative.

